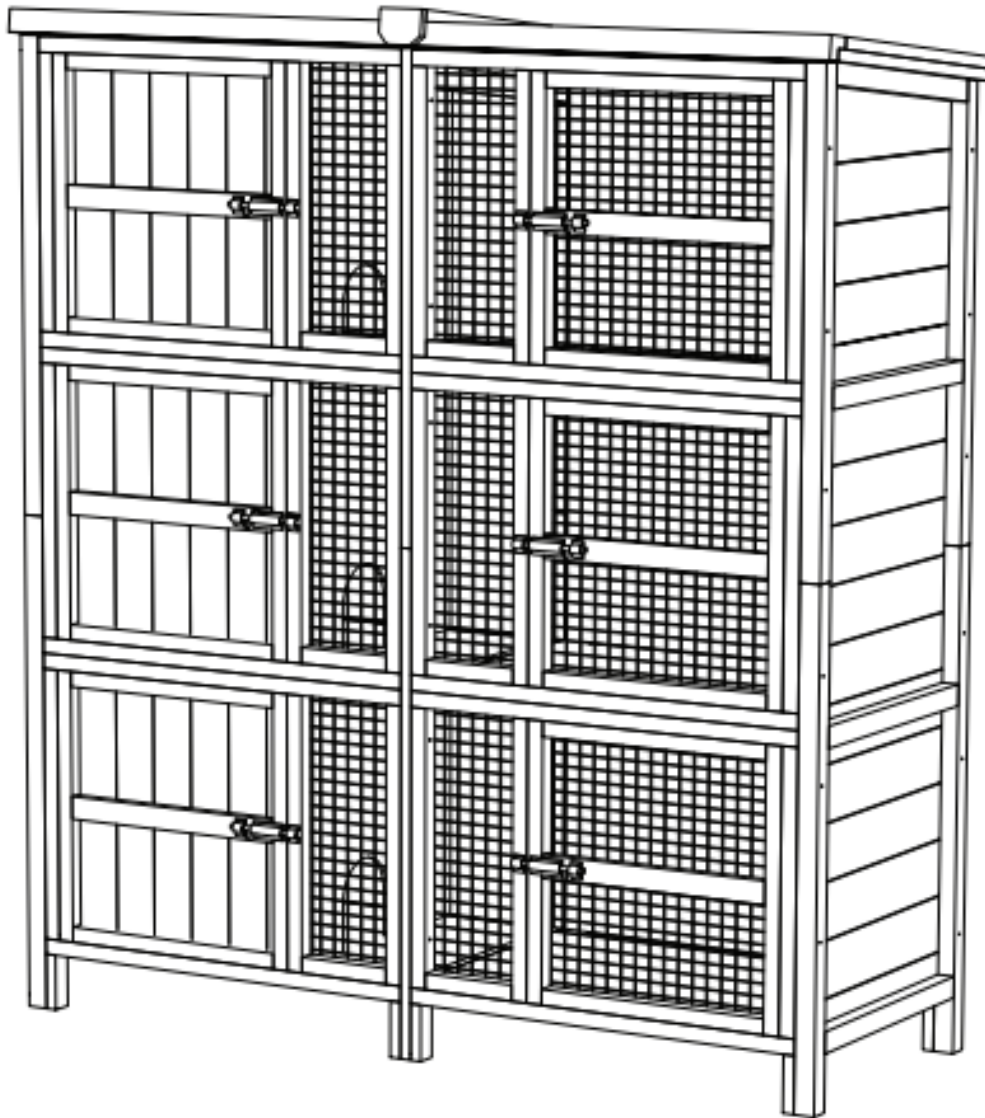
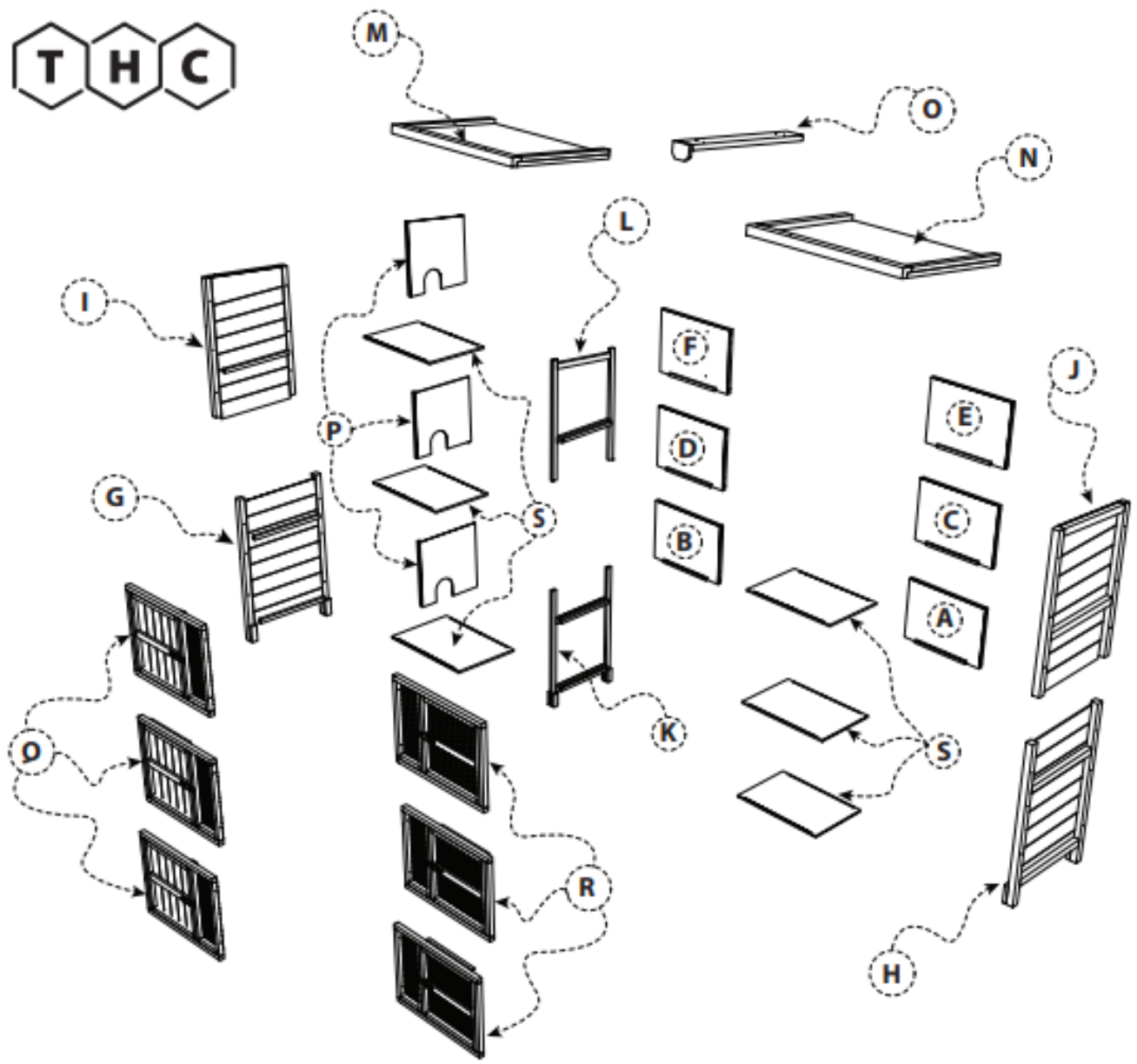


# 6FT-CHARTWELL 3-TIER

## ASSEMBLY INSTRUCTION GUIDE



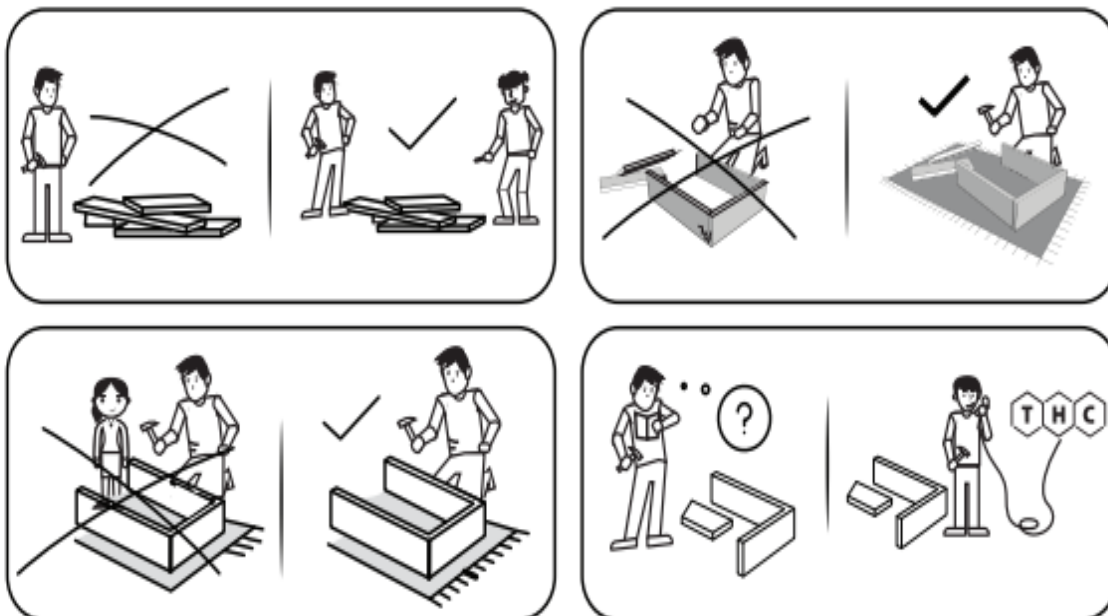


### PART LIST

PART NUMBER	PART NAME	QTY	5 FEET CHARTWELL 3-TIER	PART NUMBER	PART NAME	QTY
A	BOTTOM BACK-LEFT	1		K	PARTITION1-LOWER PART	1
B	BOTTOM BACK-RIGHT	1		L	PARTITION1-UPPER PART	1
C	MID BACK-LEFT	1		M	TOP-LEFT	1
D	MID BACK-RIGHT	1		N	TOP-RIGHT	1
E	UPPER BACK-LEFT	1		O	TOP-SUPPORT	1
F	UPPER BACK-RIGHT	1		P	PARITION	3
G	LEFT SIDE- LOWER PART	1		Q	DOOR-LEFT	3
H	RIGHT SIDE- LOWER PART	1		R	DOOR-RIGHT	3
I	LEFT SIDE-UPPER PART	1		S	SHELF	6
J	RIGHT SIDE- UPPER PART	1				



## IMPORTANT NOTES

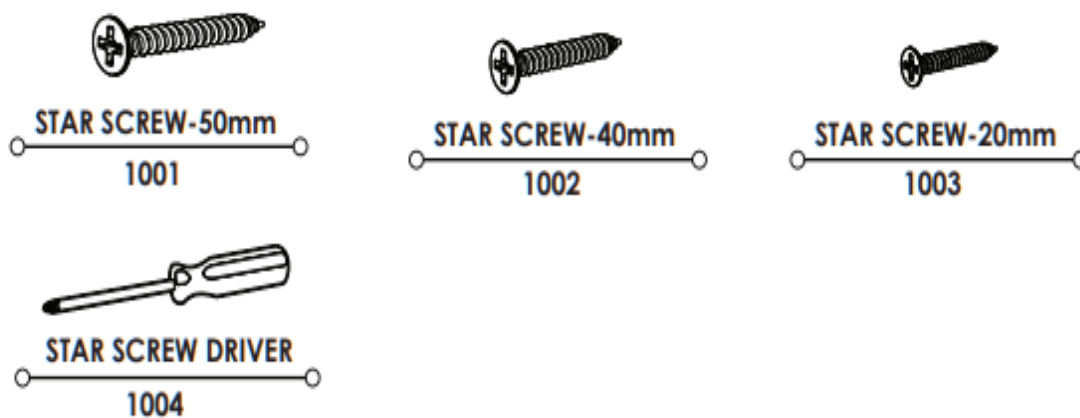


(A) Place all wooden parts on a clean and smooth surface such as a rug or carpet to avoid the parts from being scratched.

(B) Check to be sure that you have all parts and hardware.

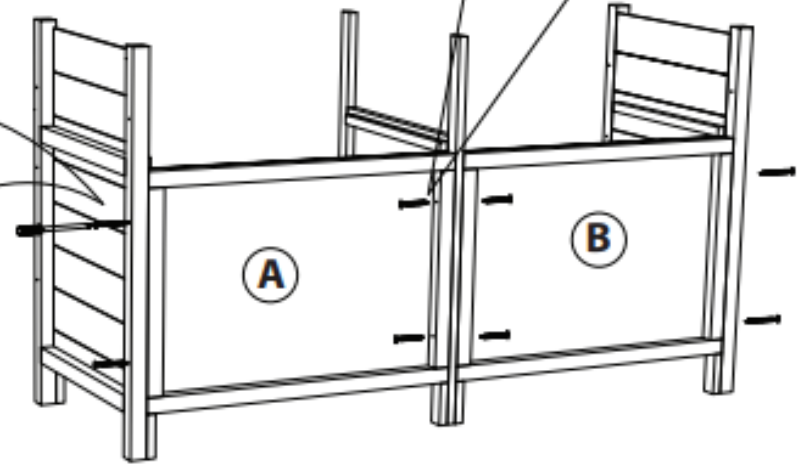
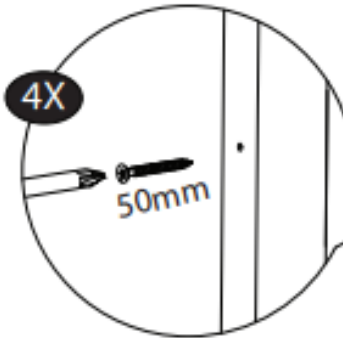
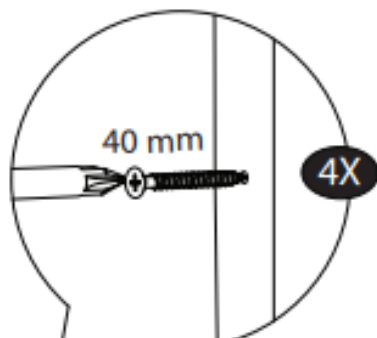
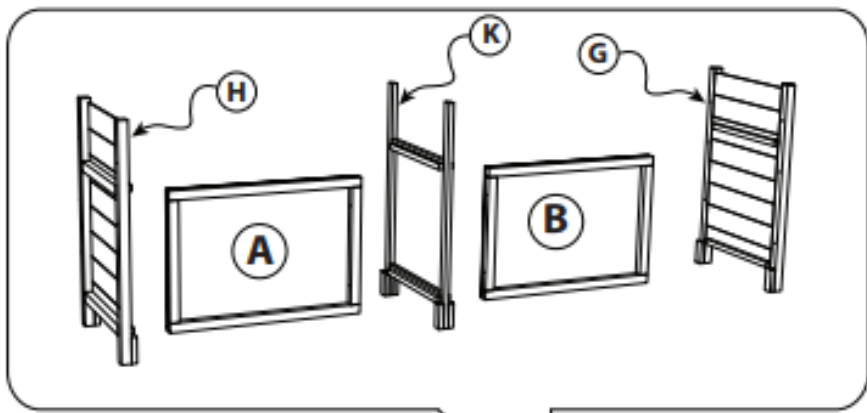
(C) Keep all hardware parts out of reach of children

## HARDWARE & TOOL DETAILS



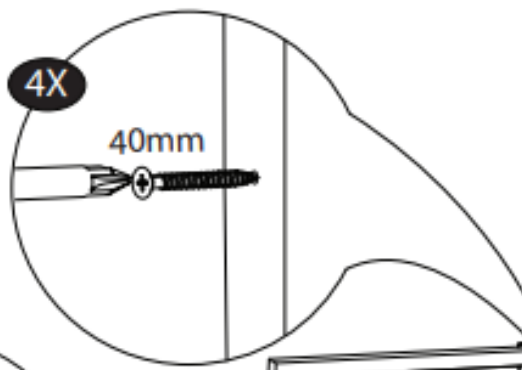
## HARDWARE LIST

NAME	SIZE/DMS	CODE	QTY
STAR SCREW	50 mm	1001	42 Nos
STAR SCREW	40 mm	1002	28 Nos
STAR SCREW	20 mm	1003	52 Nos
STAR SCREW DRIVER	NOT PROVIDED		



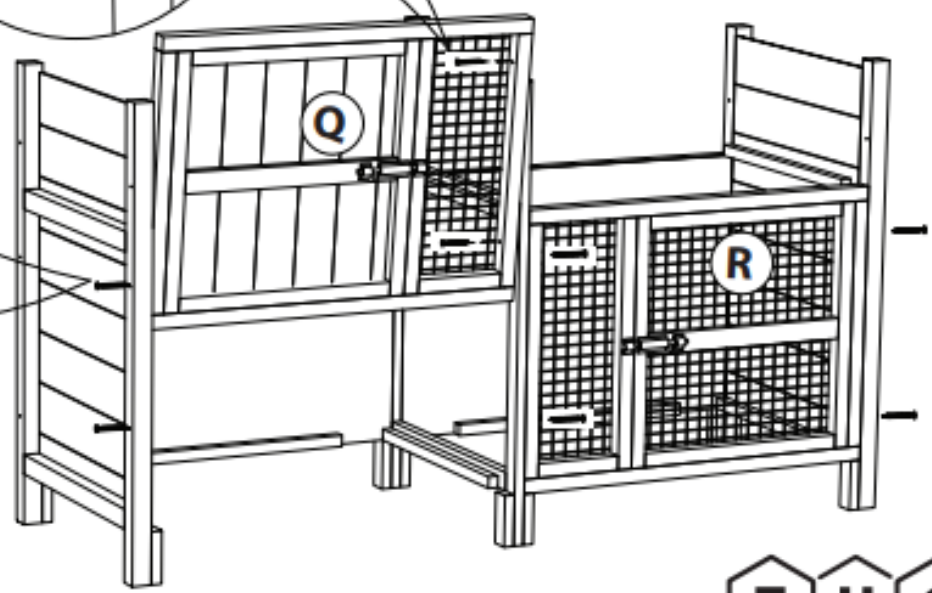
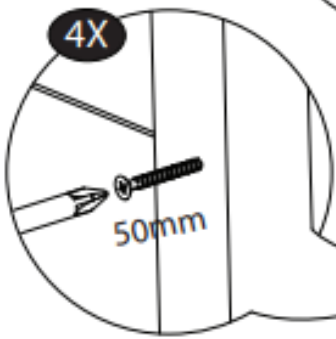
**STEP:01**

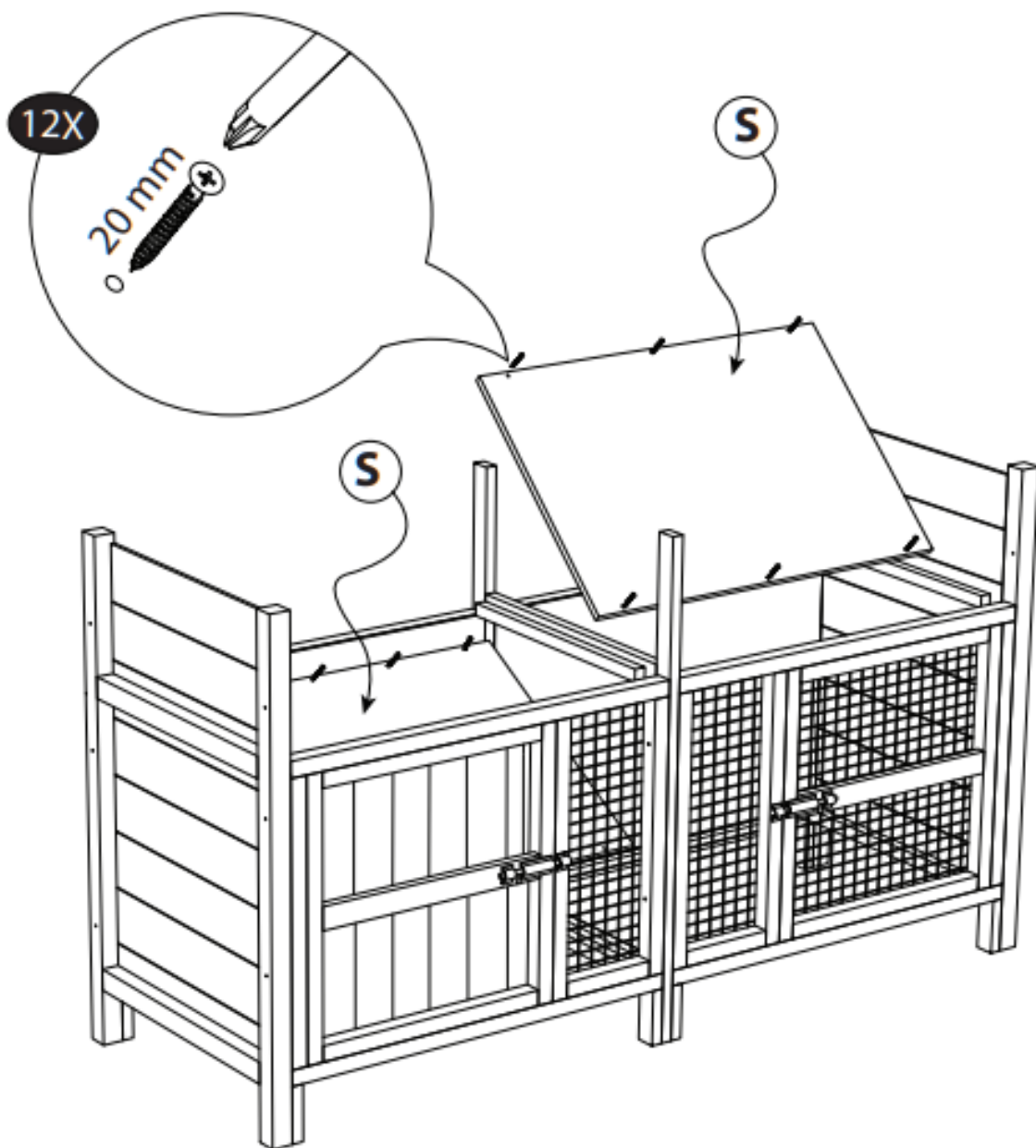
Attach **A,B** with **G, H, K**



**STEP:02**

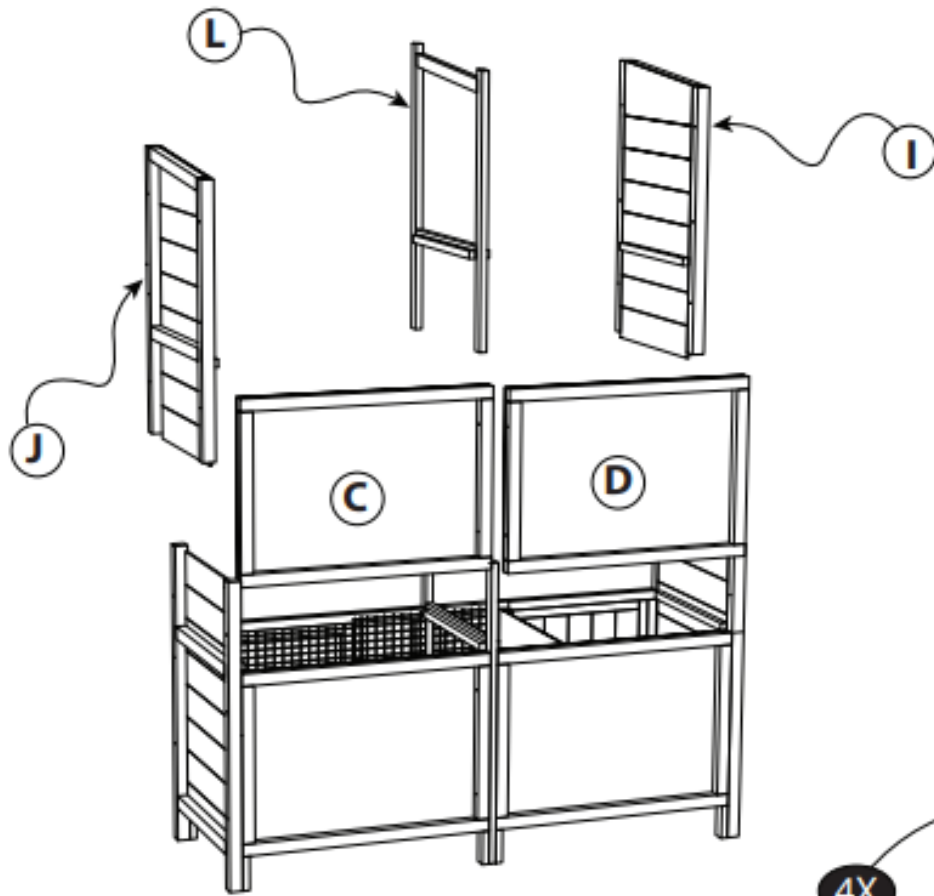
Attach **Q,R** with **G,H,K**





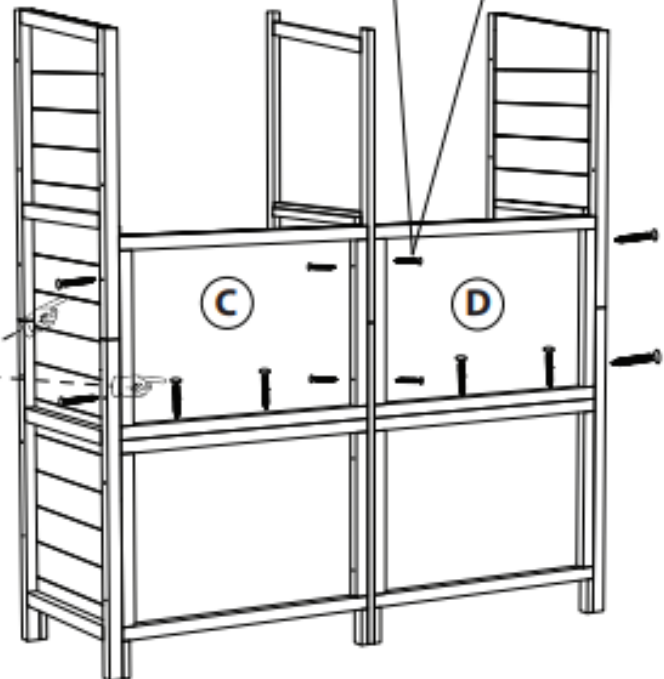
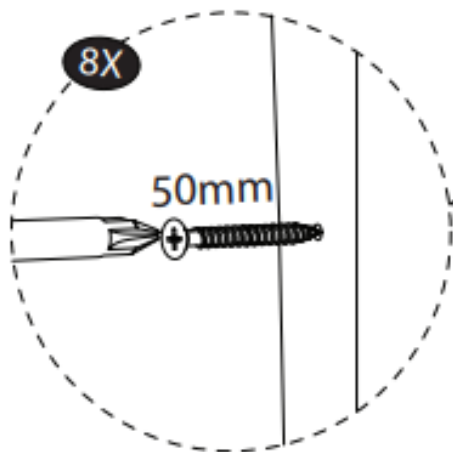
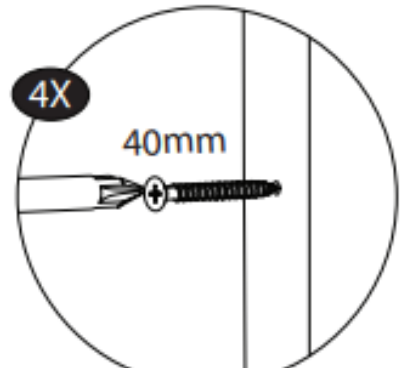
### STEP:03

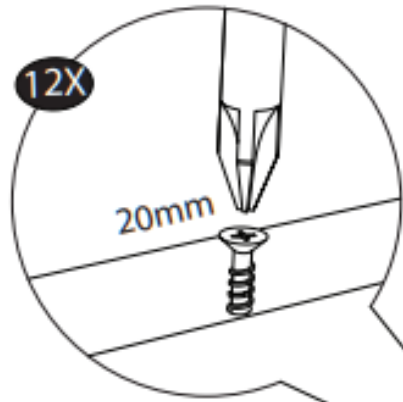
Attach **S** on Bottom Support



### STEP:04

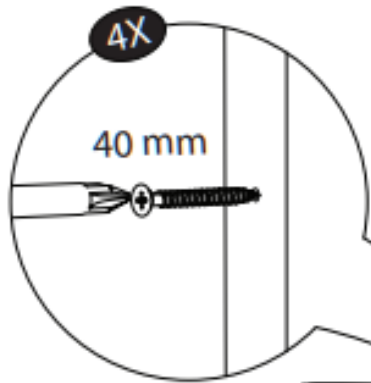
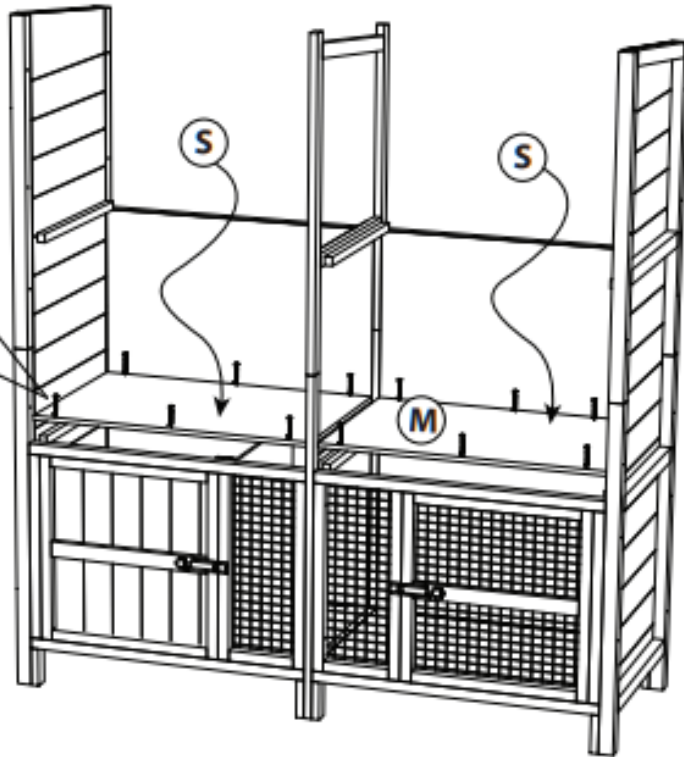
Attach C,D With I, J, L





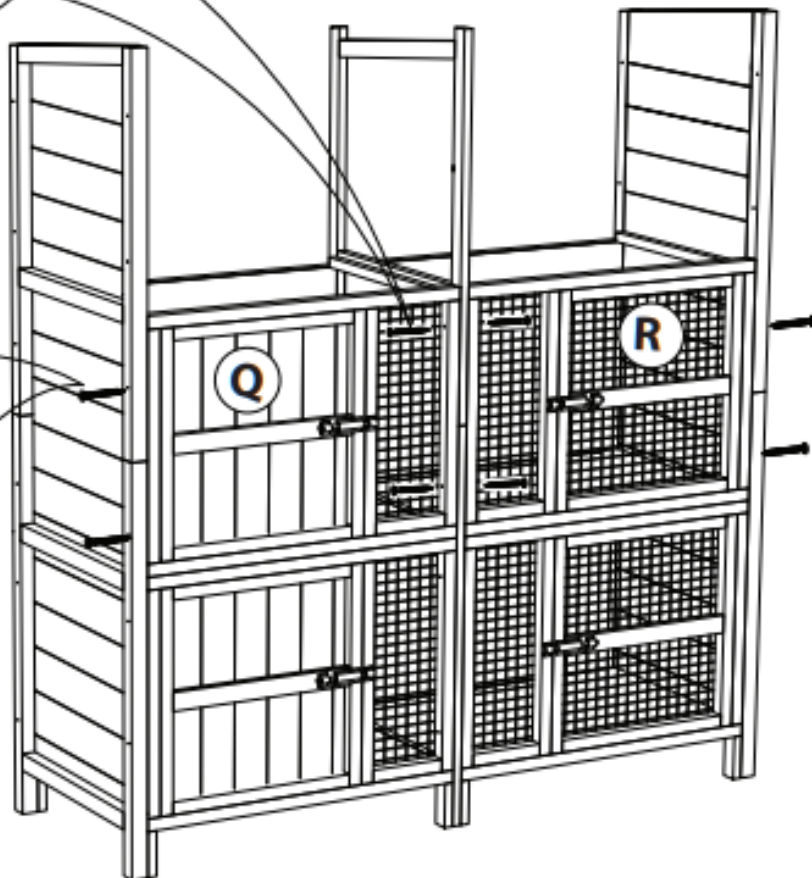
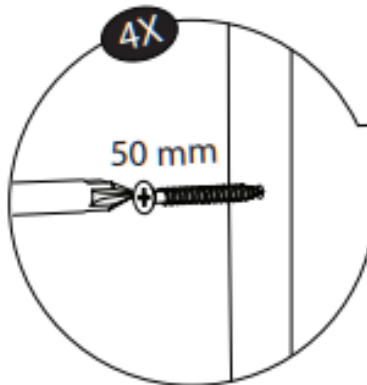
**STEP:05**

Attach **S** on the following Position



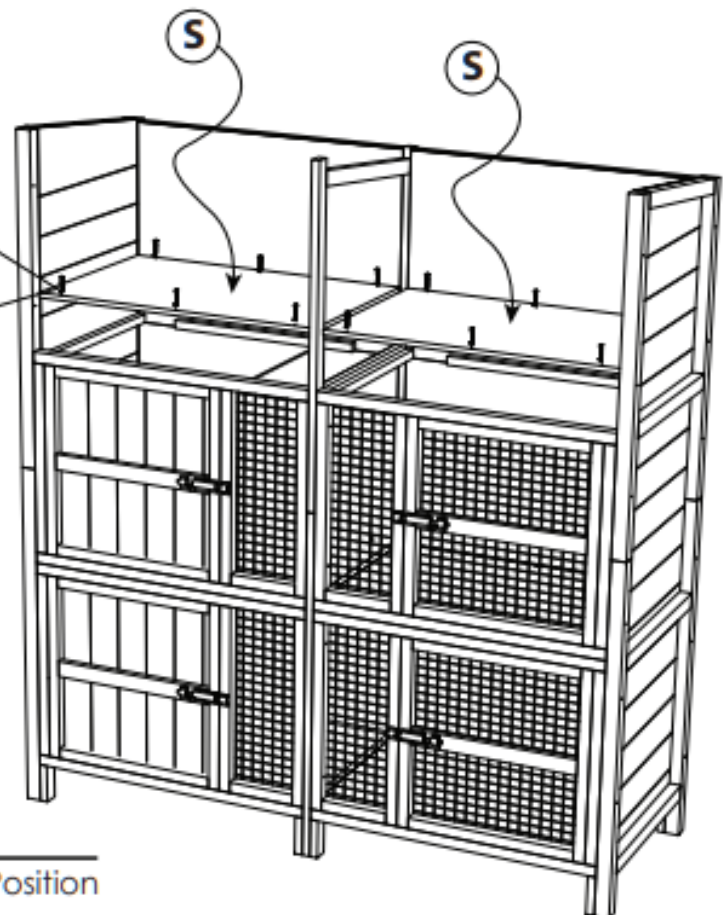
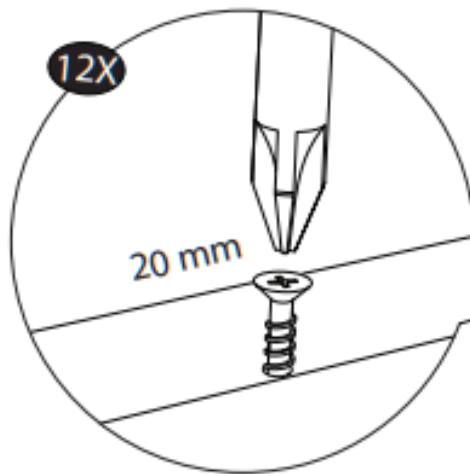
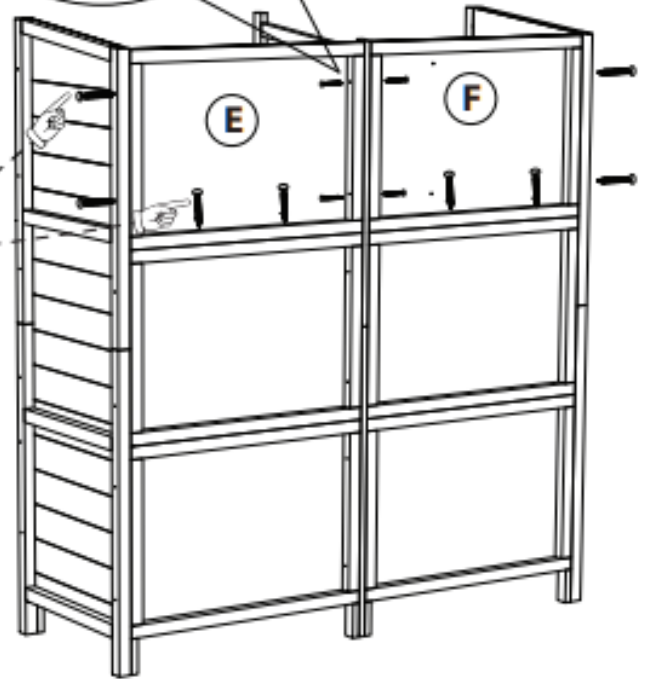
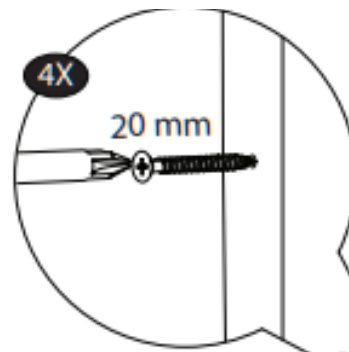
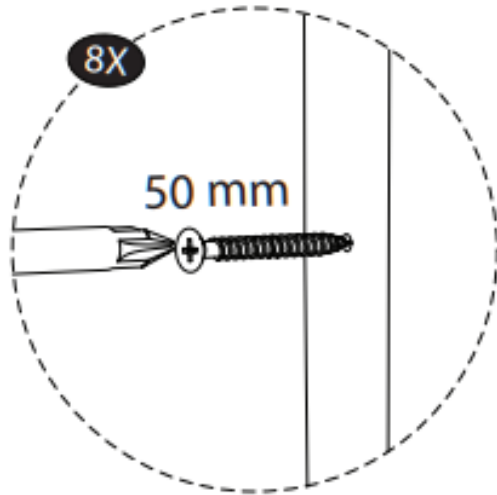
**STEP:06**

Attach **Q,R** With **I,J,L**



## STEP:07

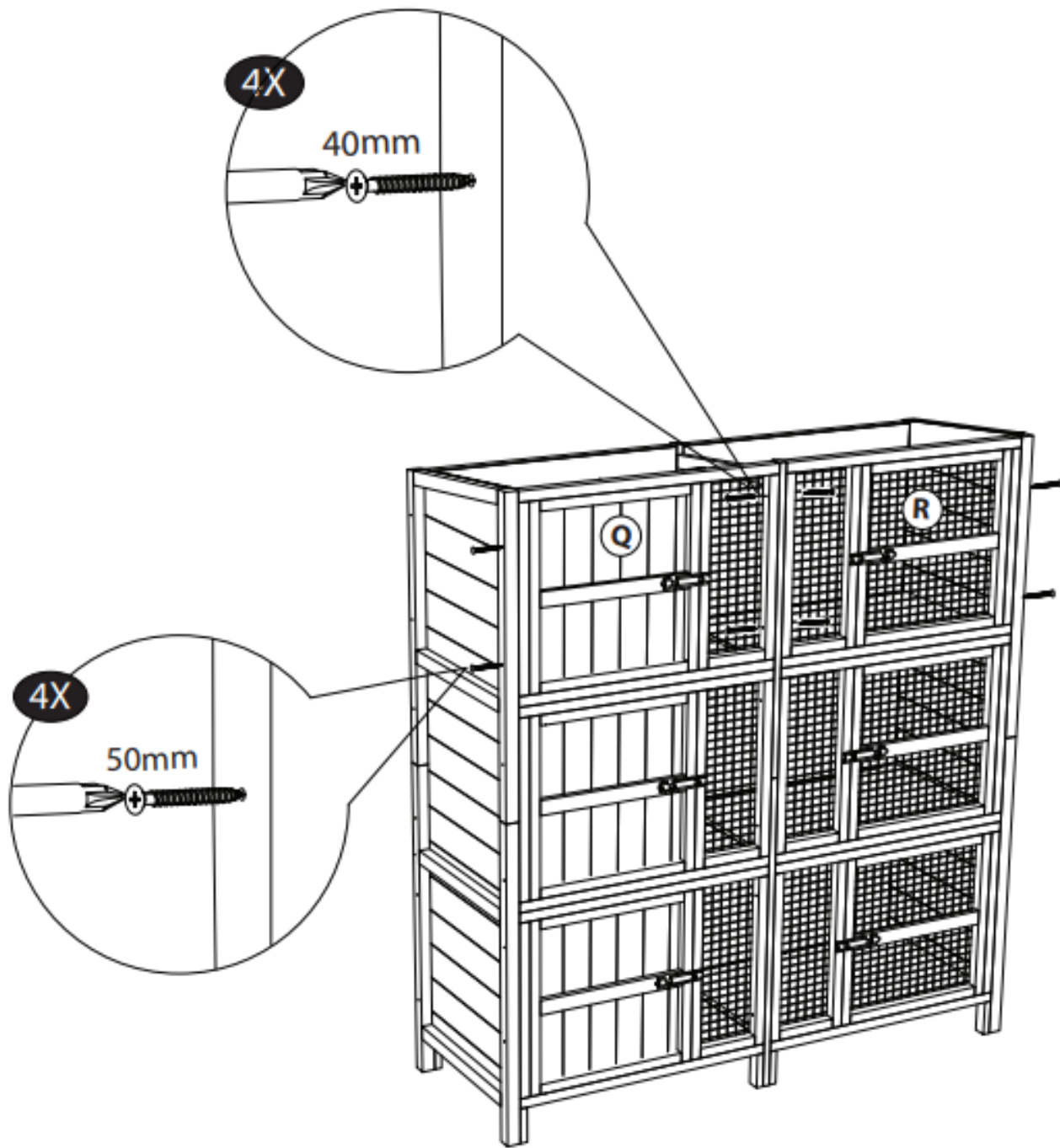
Attach E,F With I, J, L



## STEP:08

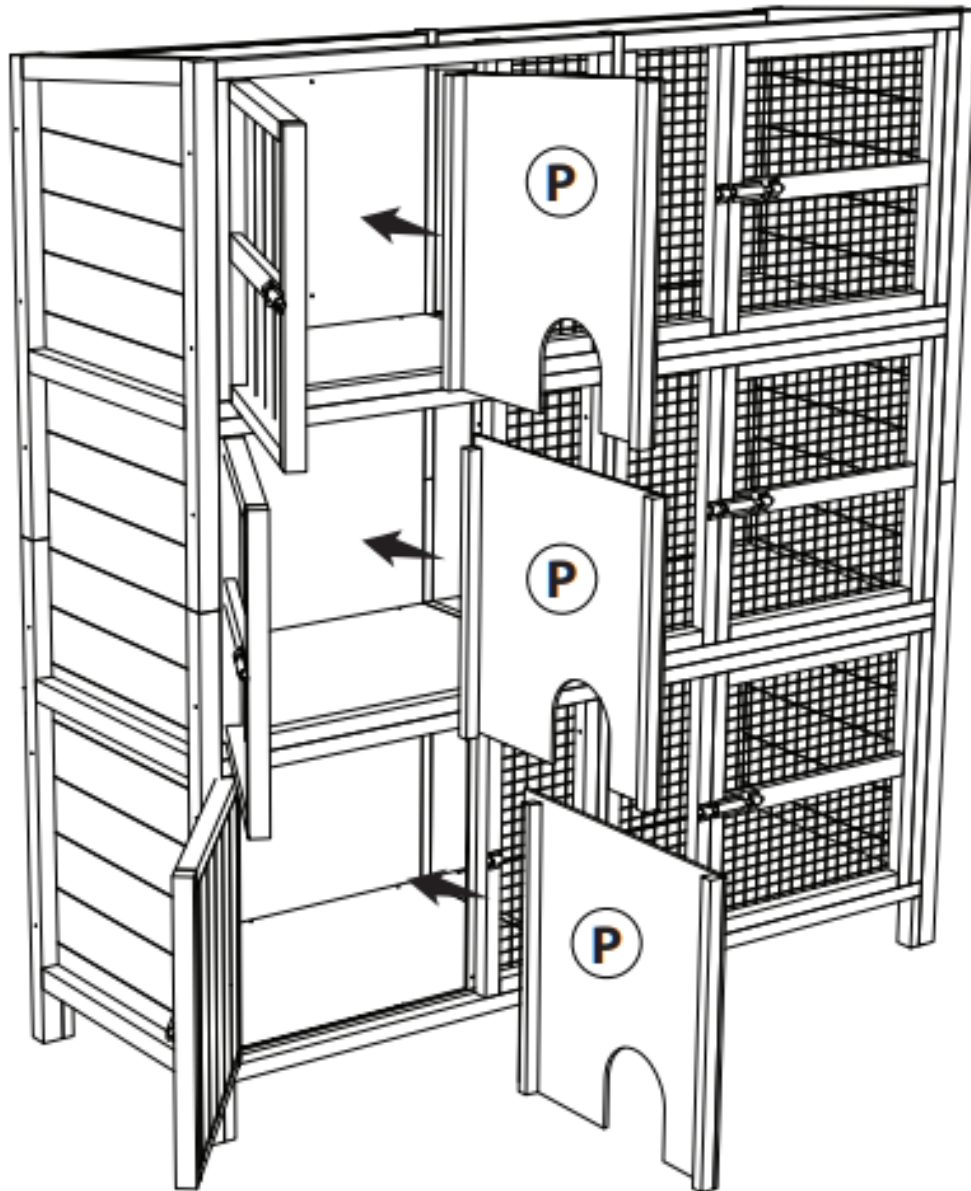
Attach S on the following Position





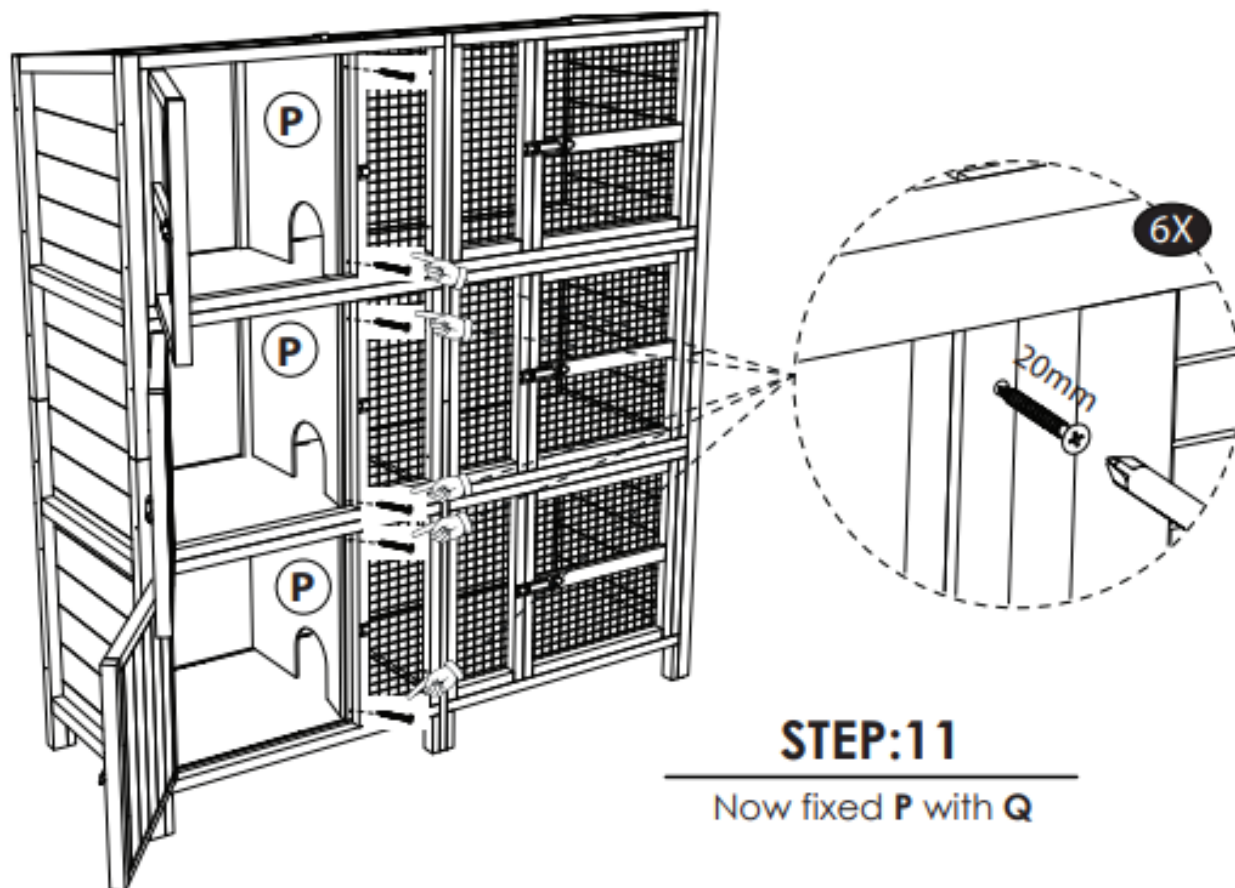
**STEP:09**

Attach **Q,R** With **I,J,L**



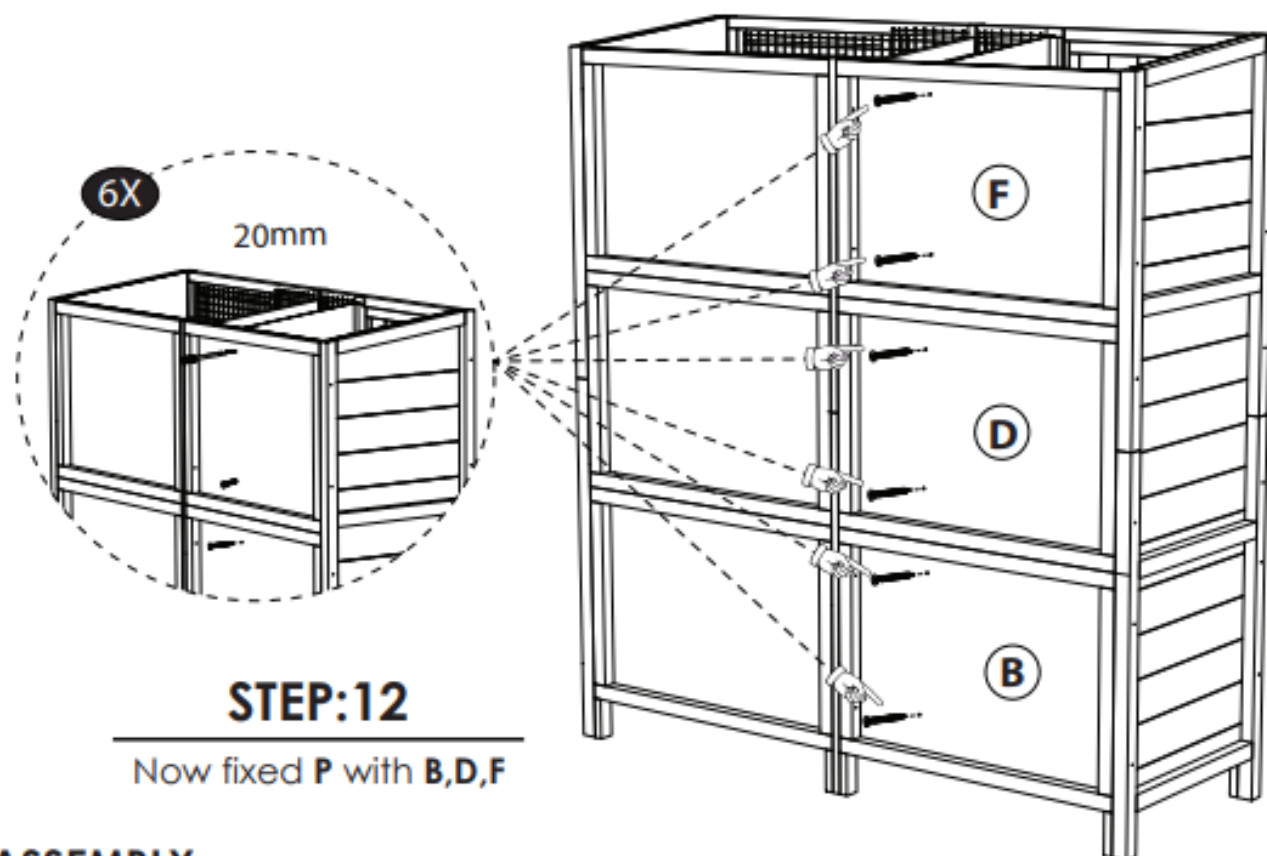
### **STEP:10**

Insert **P** in the following Position



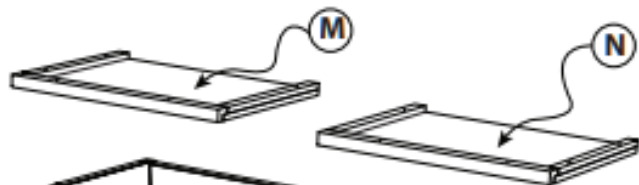
**STEP:11**

Now fixed P with Q



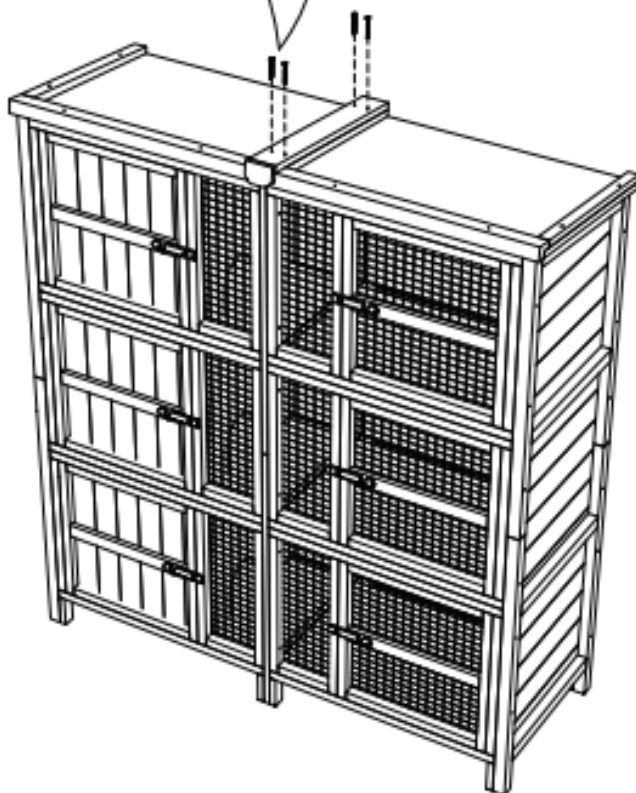
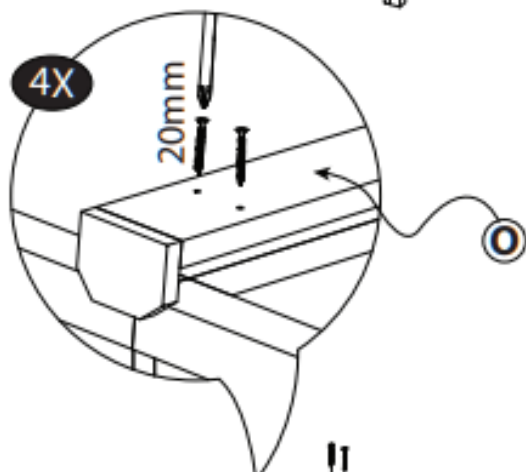
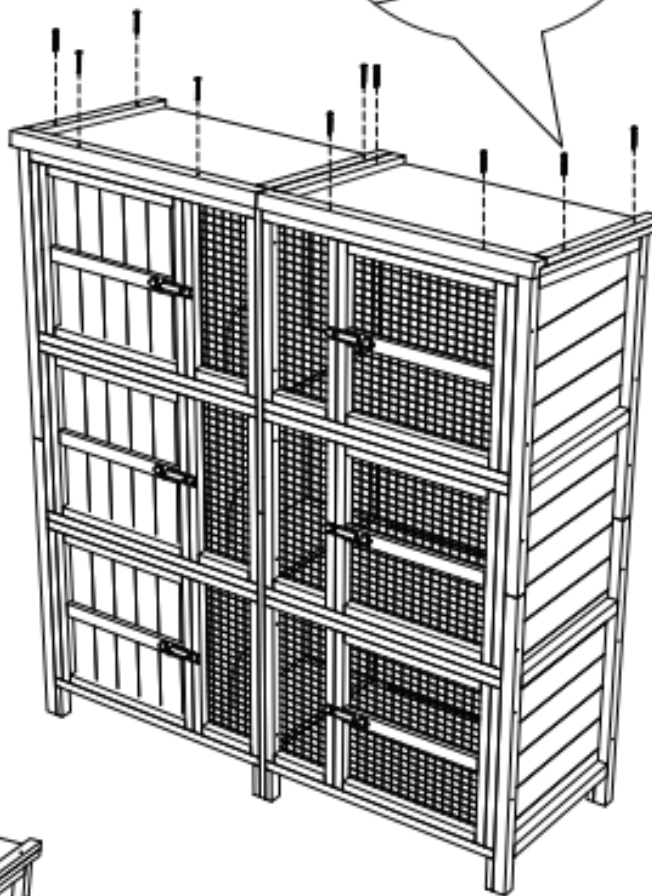
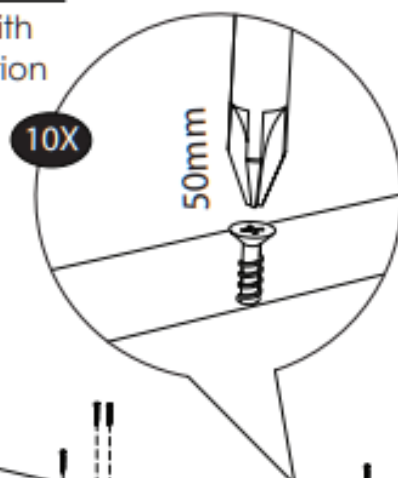
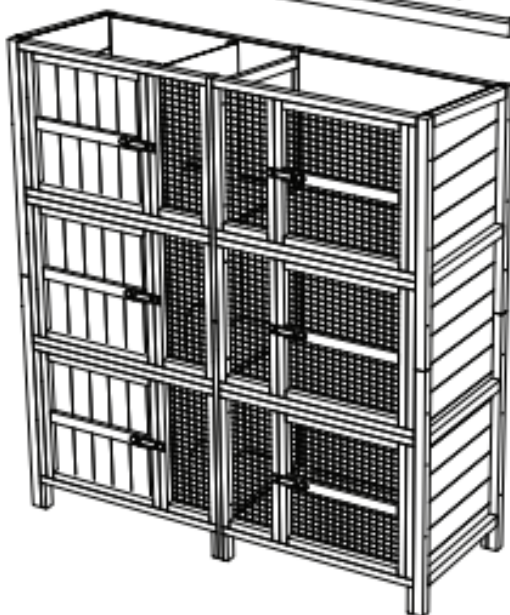
**STEP:12**

Now fixed P with B,D,F



### STEP:13

Attach **M,N** with  
Following Position



### STEP:14

Attach **O** With  
Following Position

