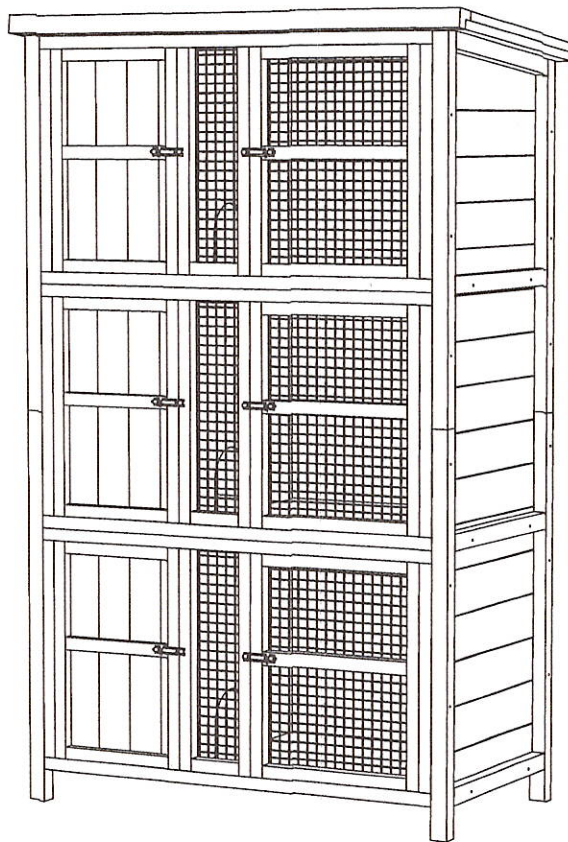
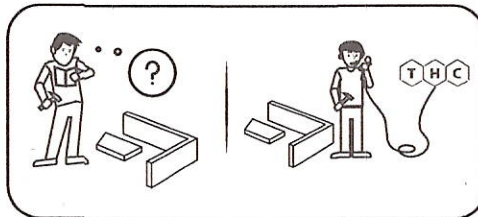
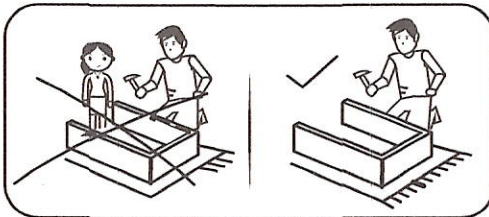
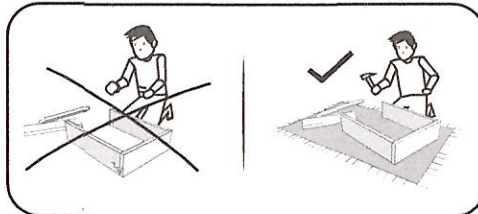
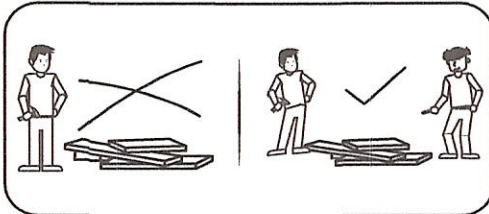


4FT-CHARTWELL 3-TIER

ASSEMBLY INSTRUCTIONS GUIDE



IMPORTANT NOTES



- (A) Place all wooden parts on a clean and smooth surface such as a rug or carpet to avoid the parts from being scratched.
- (B) Check to be sure that you have all parts and hardware.
- (C) Keep all hardware parts out of reach of children

HARDWARE & TOOL DETAILS



STAR SCREW-50mm
1001



STAR SCREW-40mm
1002



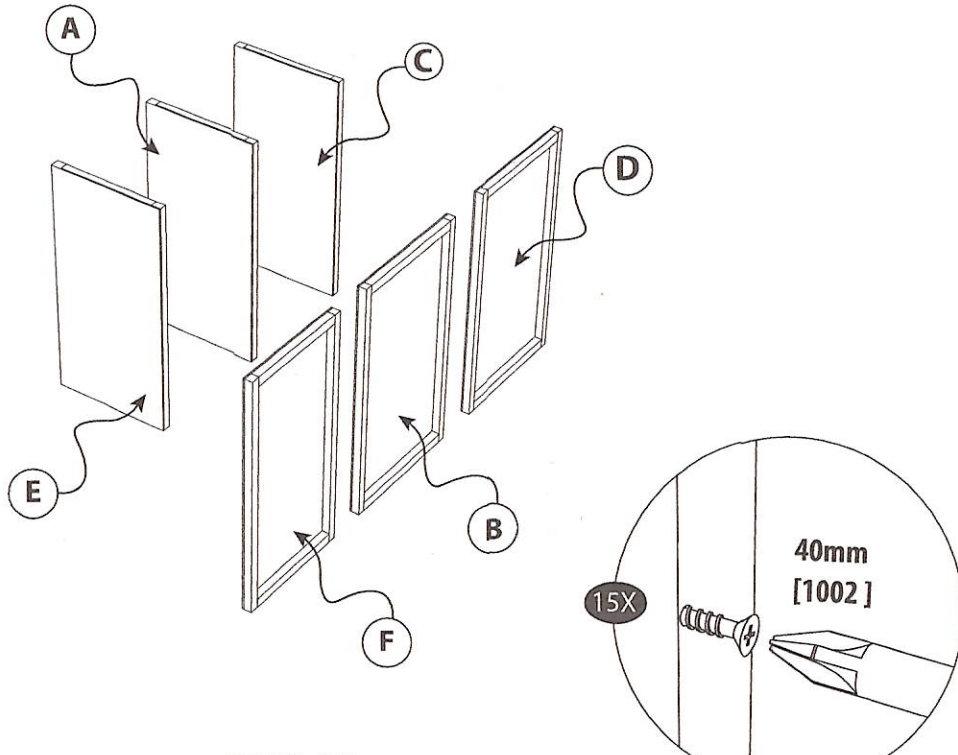
STAR SCREW-20mm
1003



STAR SCREW DRIVER
1004

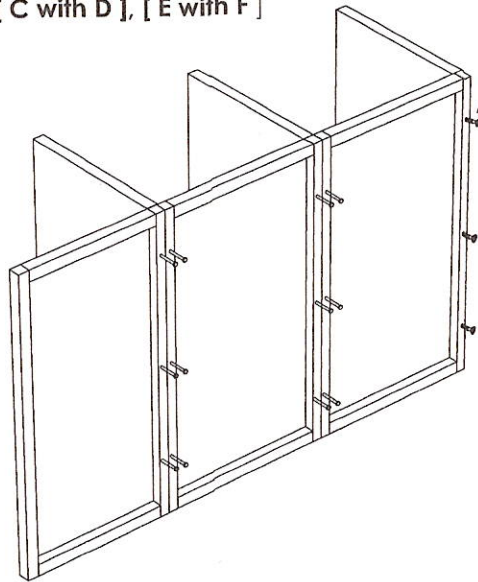
HARDWARE LIST

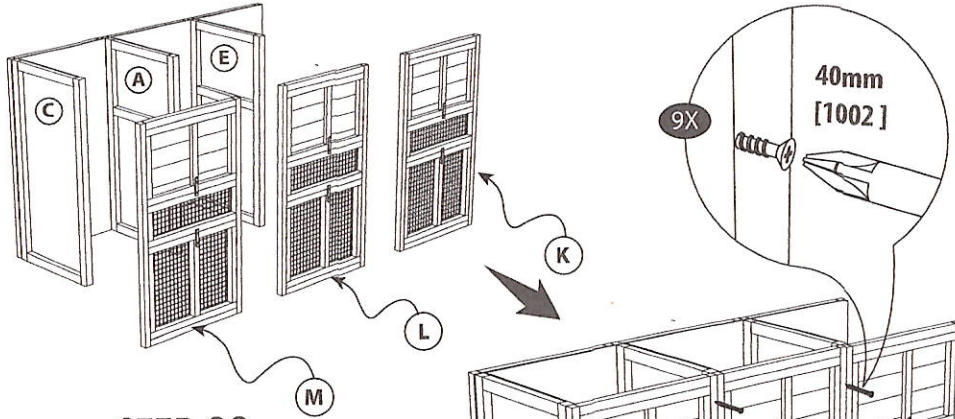
NAME	SIZE/DMS	CODE	QTY
STAR SCREW	50 mm	1001	43 Nos
STAR SCREW	40 mm	1002	24 Nos
STAR SCREW	20 mm	1003	12 Nos
STAR SCREW DRIVER	NOT PROVIDED		



STEP:01

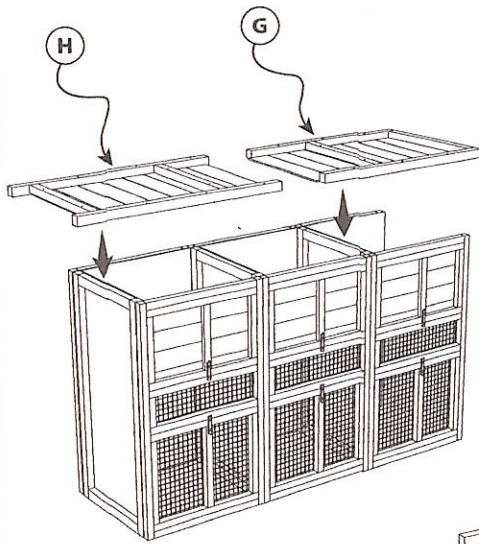
Attach [A with B], [C with D], [E with F]





STEP:02

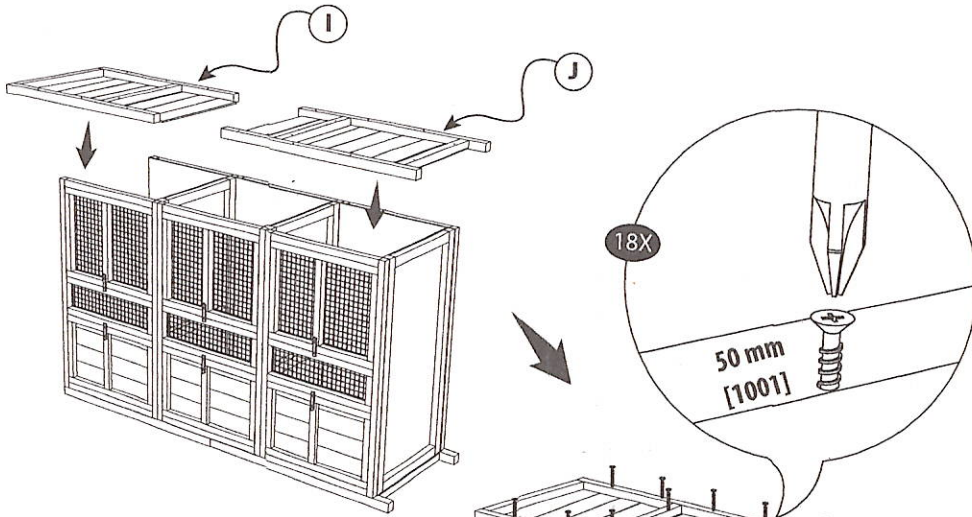
Attach K,L,M with E,A,C



STEP:03

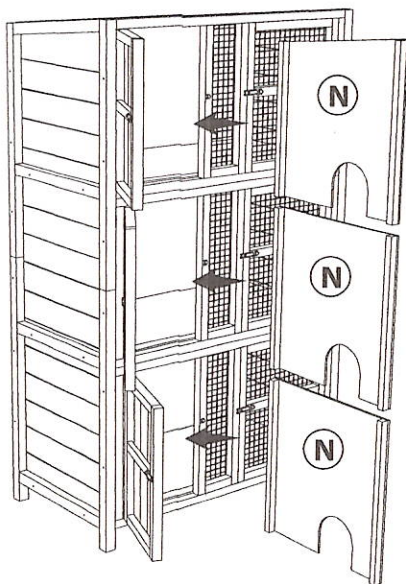
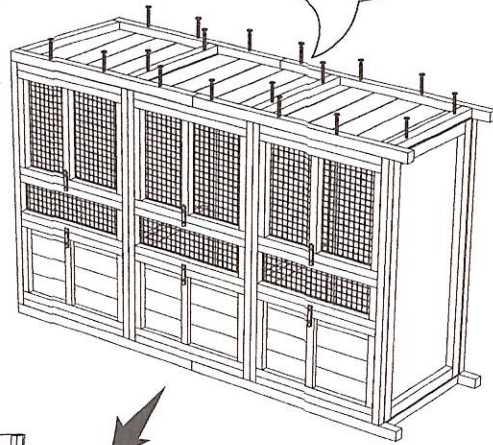
Attach G,H with following Position

**ASSEMBLY
INSTRUCTIONS**



STEP:04

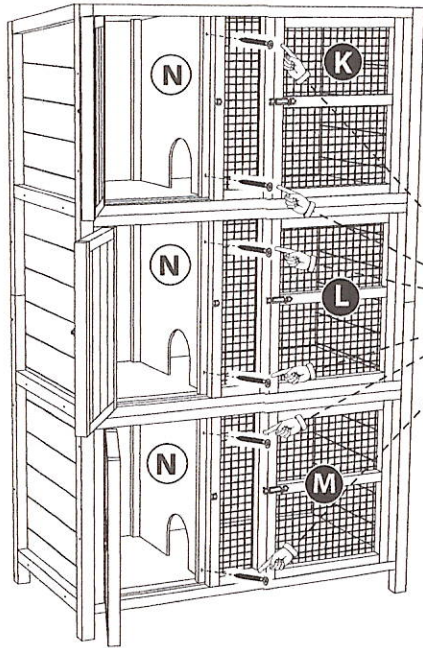
Attach I,J with following Position



STEP:05

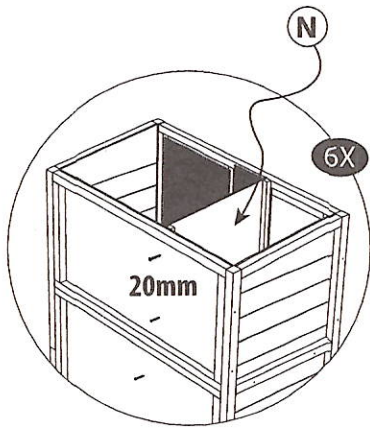
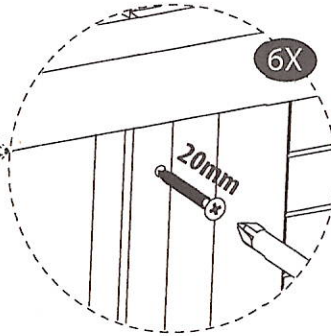
Insert N in following Position





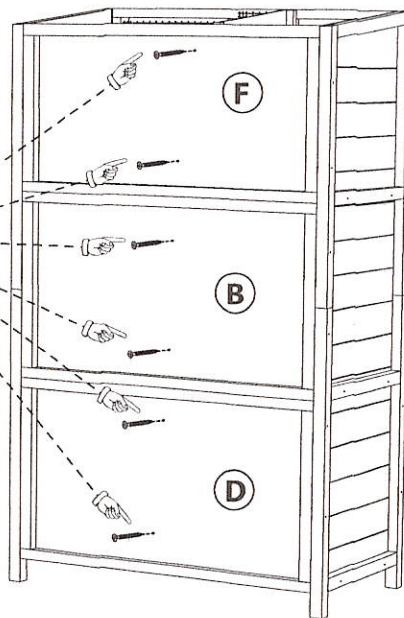
STEP:06

Fixed N with K,L,M

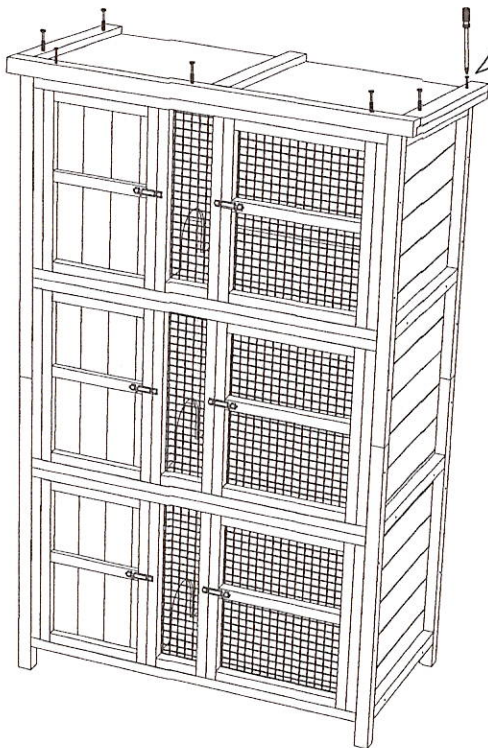
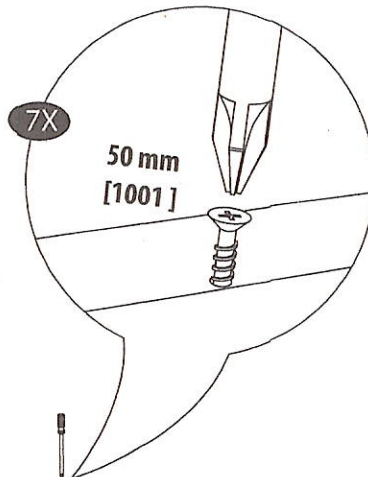
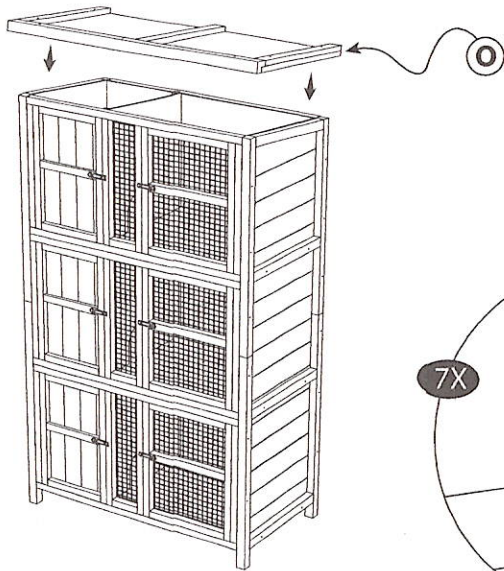


STEP:07

Fixed N with F,B,D



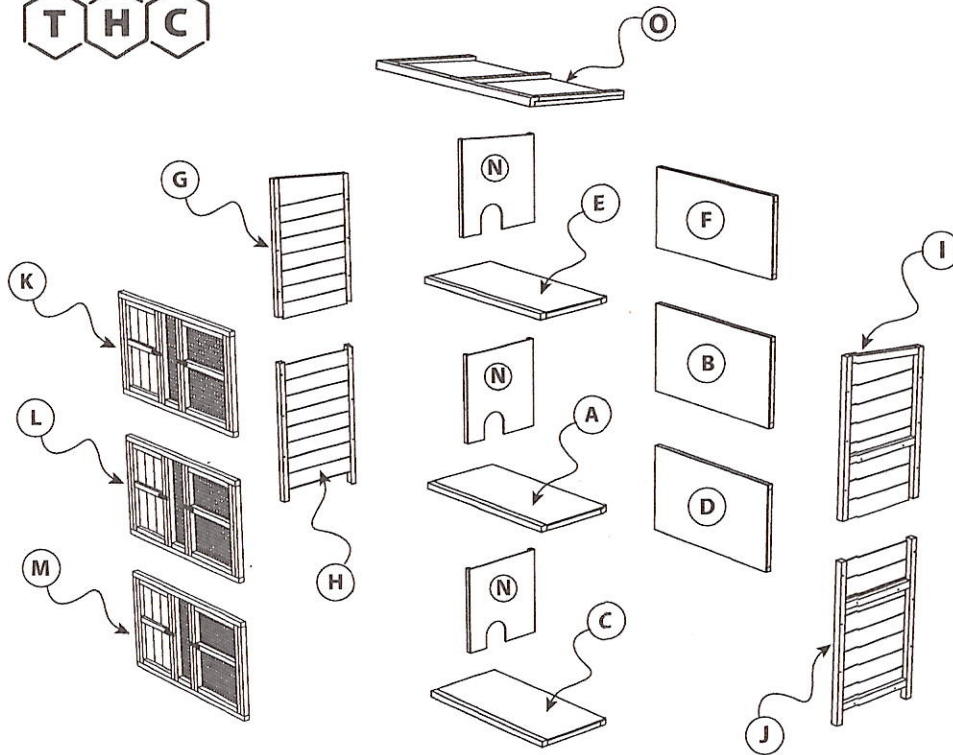
**ASSEMBLY
INSTRUCTIONS**



STEP:08
Attach O With following Position



THC



PART LIST

PART NUMBER	PART NAME	QTY	PART NUMBER	PART NAME	QTY
A	MIDDLE SHELF	1	I	SIDE RIGHT [UPPER PART]	1
B	MIDDLE BACK	1	J	SIDE-RIGHT [LOWER PART]	1
C	BOTTOM	1	K	UPPER DOOR FRAME & DOOR	1
D	BOTTOM BACK	1	L	MIDDLE DOOR FRAME & DOOR	1
E	UPPER SHELF	1	M	LOWER DOOR FRAME & DOOR	1
F	UPPER BACK	1	N	PARTITION	3
G	SIDE LEFT [UPPER PART]	1	O	TOP	1
H	SIDE-LEFT [LOWER PART]	1			

THC